



TVL SOFTLIGHT DW™

SKU# **TVL551**

The TVL SOFTLIGHT DW™ is a soft light luminaire featuring 240 cool white and 240 warm white LEDs, a 115° beam angle, 8-leaf adjustable / removable barn doors, linear white color temperature range (3,200K - 5,600K), smooth 16bit dimming curve mode effects, adjustable LED refresh frequency and gamma brightness for flicker free operation for TV and FILM, 5pin DMX, RJ45 etherCON (Art-NET), and powerCON TRUE 1 connections, (4) button menu control panel, separate dimmer and color temperature rotary dials for manual control, 180° reversible LCD menu display, and a multi-voltage universal auto switching power supply (100-240v). Optional SNAPGRID light control grid available.

FEATURES

- 115° Beam Dynamic White TVL SoftLight**
- 240 Cool White + 240 Warm White LEDs**
- 3,200K - 5,600K Linear White Color Temp Range**
- Smooth 16bit Dimming Curve Modes**
- Dimmer and Color Temperature Rotary Control Dials**
- 8-Leaf Adjustable / Removable Barn Doors Included**
- Adjustable LED Refresh Rate and Gamma Brightness**
- Flicker Free Operation for TV and FILM**
- Optional SNAPGRID Light Control Grid Available**



Specifications are subject to change without notice ©Elation Professional 01/08/18

Elation Professional USA | 6122 S. Eastern Ave. | Los Angeles, CA. 90040
323-582-3322 | 323-832-9142 fax | www.elationlighting.com | info@elationlighting.com

Elation Professional B.V. | Junostraat 2 | 6468 EW Kerkrade, The Netherlands
+31 45 546 85 66 | +31 45 546 85 96 fax | www.elationlighting.eu | info@elationlighting.eu

PRODUCT SPECIFICATIONS

SOURCE

240 Cool White 240 Warm White LEDs
20,000 Hour Average LED Life*

*May vary depending on several factors including but not limited to: Environmental Conditions, Power/Voltage, Usage Patterns (On-Off Cycling), Control and Dimming.

PHOTOMETRIC DATA

>95CRI | 6,700 Total Lumens
575 lux 53.4 fcd @6.6 ft (2m) Full ON 4,200K >95CRI
580 lux 53.9 fcd @6.6 ft (2m) CW 5,600K >96CRI
564 lux 52.4 fcd @6.6 ft (2m) WW 3,200K >95CRI

COLOR

Cool White / Warm White

EFFECTS

3,200K - 5,600K Linear Variable Color Temperature
Electronic Strobe and Variable Dimming Curve Modes

CONTROL / CONNECTIONS

6 DMX Channel Modes (7 total channels)
4 Button Control Panel
2 Rotary Control Dials (Dimmer and Color Temperature)
Adjustable Refresh Rate (900-25,000 Hz)
Adjustable Gamma Brightness (2.0-2.8)
180° Reversible LCD Menu Display
5pin DMX In/Out
RJ45 etherCON In (Art-NET)
powerCON TRUE1 Power In

SIZE / WEIGHT (w/barn doors attached)

Length: 26.5" (673mm)
Width: 12.4" (315mm)
Vertical Height: 16.7" (425mm)
Weight: 18 lbs. (8.2 kg)

ELECTRICAL / THERMAL

AC 100-240V - 50/60Hz
99W Max Power Consumption
5F to 113°F (-15°C to 45°C)

APPROVALS / RATINGS

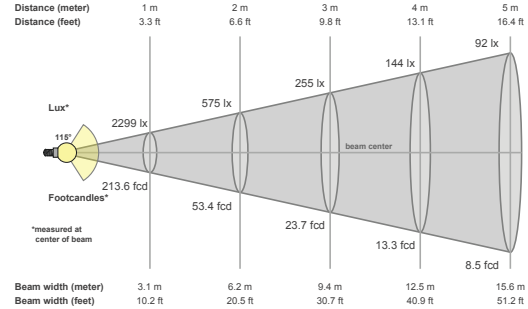


**OPTIONAL SNAPGRID 40°
OPTIONAL ACCESSORIES**

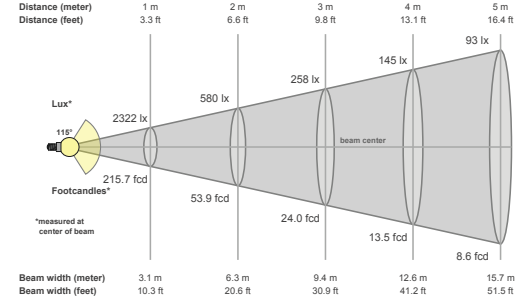
ORDER CODE	ITEM
TVL562	SNAPGRID 40° Light Grid
NARROW CLAMP	PRO 2" Wrap Around Clamp
AC5PDMX5PRO	5 ft. (1.5m) 5pin PRO DMX Cable
CAT6PRO5	5' (1.5m) CAT6 EtherCON Cable
	Additional cable lengths available

PHOTOMETRIC DATA

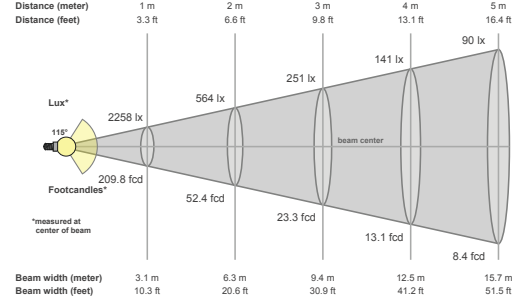
FULL ON (CW/WW) 4,200K >95CRI



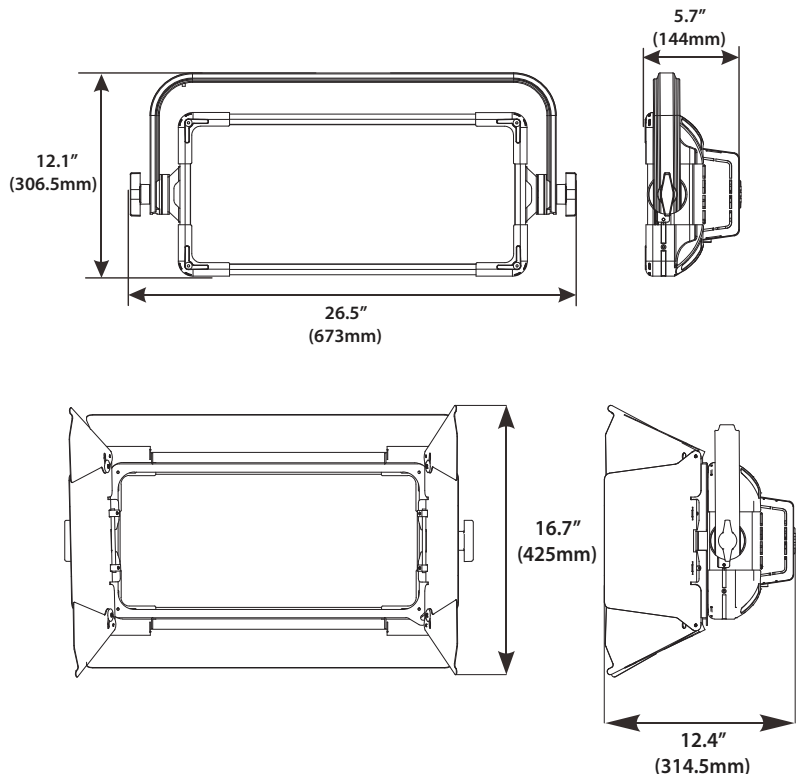
FULL ON (CW) 5,600K >96CRI



FULL ON (WW) 3,200K >95CRI



DIMENSIONAL DIAGRAMS



Specifications are subject to change without notice ©Elation Professional 01/08/18

Elation Professional USA | 6122 S. Eastern Ave. | Los Angeles, CA. 90040
323-582-3322 | 323-832-9142 fax | www.elationlighting.com | info@elationlighting.com

Elation Professional B.V. | Junostraat 2 | 6468 EW Kerkrade, The Netherlands
+31 45 546 85 66 | +31 45 546 85 96 fax | www.elationlighting.eu | info@elationlighting.eu